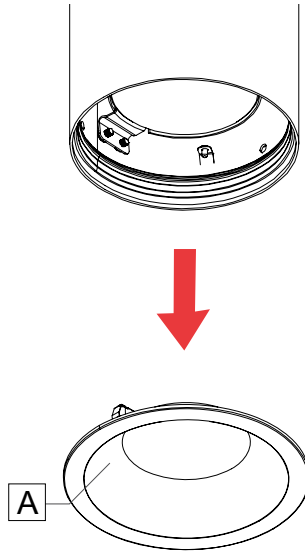


# AERA INFLEX CYLINDER

## OPTIC ADJUSTMENT

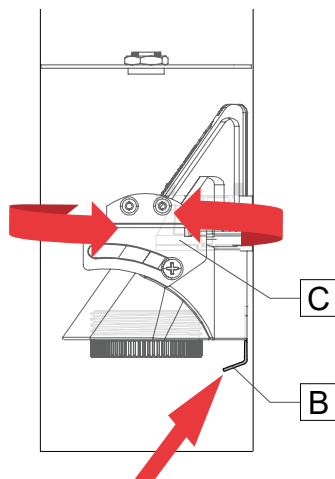
### 1 REMOVE BAFFLE.

Remove the baffle [A] from the cylinder.



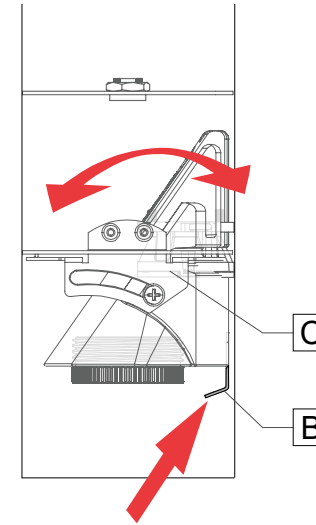
### 3 ROTATE OPTIC.

Use the tab [B] to apply leverage when rotating the optic [C].



### 2 TILT OPTIC.

Push or pull the tab [B] to tilt the optic [C] into position.



### 4 REINSTALL BAFFLE.

Insert baffle [A] into cylinder and snap into place until an audible click is heard.

